

Free of charge & without obligation,  
we would be delighted to send you our  
catalogue with detailed prices and 32 original  
samples of our circa 100 colours.

Please stamp  
and address your  
answer to:

Answer

Passepartout-Werkstatt  
Reinhard Dreger

Dorfstraße 10  
21379 Echem

Germany/Deutschland

Recommended by:

○ Please send me/us,  
free of charge & without obligation, your  
catalogue with detailed prices and  
32 Original samples of your  
circa 100 Colours.

4 % rebate for online mounts

We pass our advantages on to you. Faultless orders received via  
Internet that can be passed directly to our cutting plotters, receive  
4% rebate.



For Custom Multiple Openings you can save 50 % and more.  
Your designs are supported graphically. You will receive information  
about freight and about when your first rebate will be valid.

Our online-shop is in English and will also be available in French  
from Autumn 2005.

We support offers and sales of your works with  
**free Internet pages**

We have developed an Internet **Gallery-Generator** tailored to the  
needs of artists & photographers. You need no knowledge of HTML  
to use our system and can create your own Internet pages perso-  
nally. It contains galleries for pictures and a perfect editing system  
allowing for group pages, which you can share with colleagues. It  
also enables an „automatised“ cooperation with framers and galle-  
rys, who have their own generator, whose basic version is also free.  
For further information see: [www.ppwr.de/uk62000](http://www.ppwr.de/uk62000)

Individual solutions for your perfect presentation.



**Bevel cut Mounts & Frames  
in highest Quality and Precision  
Delivery throughout Europe**

Passepartout-Workshop Reinhard Dreger · Dorfstr.10 · D-21379 Echem  
Phone: +49 (0) 4139 - 686 69 · Fax 78 · E-Mail: [info@ppwr.de](mailto:info@ppwr.de)

[www.online-framing.com](http://www.online-framing.com)

## About us

**1986** The Passepartout-Workshop Reinhard Dreger was founded. Computer equipped from the outset.

**1993** As one of the first companies worldwide we installed a Computer controlled cutting plotter. On our suggestion, an Autoload was developed that allowed us to transfer customer´s verified data directly to our cutting plotters.

**2004** We were the first company worldwide capable of transferring customer´s personal data directly from internet to our computer controlled machines.

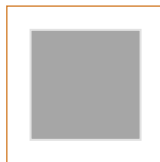
We became the leading company for customised Mounts in Europe.

We are looking for **business representatives** in Czechia, Denmark, Finland, France, Italy, Greece, Netherlands, Norway, Poland, Russia, Spain, Sweden, Turkey and UK.  
More: [www.ppwr.de/uk78000](http://www.ppwr.de/uk78000)

## Your advantages at a glance:

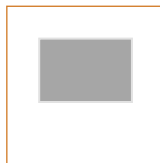
- Competent consultation for exhibitions, editions and archiving
- Highest quality and measurement accuracy
- Wide range: 100 Colours
- Reasonable Prices
- Graphic and commercial assistance at the Online-Shop
- Fast delivery.  
2- 7 working days
- Comfortably & safely brought to your studio / home

## Standard Mounts



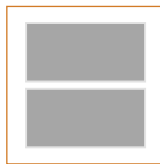
The most reasonable start: 8 outer formats with up to 3 rectangles, 2 squares plus one oval window all in up to 13 colours = over 300 different mounts, which are always in stock for you.

## Custom Mounts



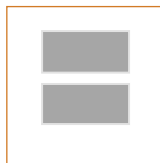
Present your works professionally. All sizes up to 80 x 100 cm are available. Choose between around 100 colours in Standard or Museum Quality with thicknesses from 1.4 to 4.4 mm.

## Standard Multiple Openings



44 practical window arrangements in 8 outer formats with reasonable prices invite you to be creative. All colours are available in all thicknesses.

## Custom Multiple Openings



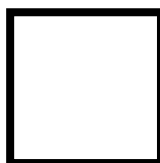
Everything is possible and, if you design them yourself in our online-shop, they are exceptionally reasonable. You can also choose from our complete selection of colours and thicknesses.

## Backs



Choose from 9 different backs ranging from basic to top conservation quality. Looking at things closely, the back is the most important. Your picture is fully in contact with it.

## Nielsen-Alu-Frames and others

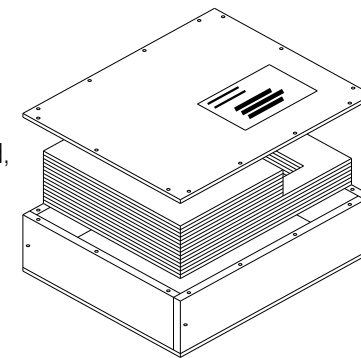


Frames complete our range. Nielsen-Alu-Frames are available in 3 Profiles, in 21 Colours, with 4 types of glass and in any size you desire.

## Wooden Packing System

### Solid & Safe

The bottom and lid are made of 3,2 mm hardboard, the sides of chipboard or natural wood. All parts are connected with Spax screws.



**Bevel cut mounts & frames  
in highest Quality and Precision**